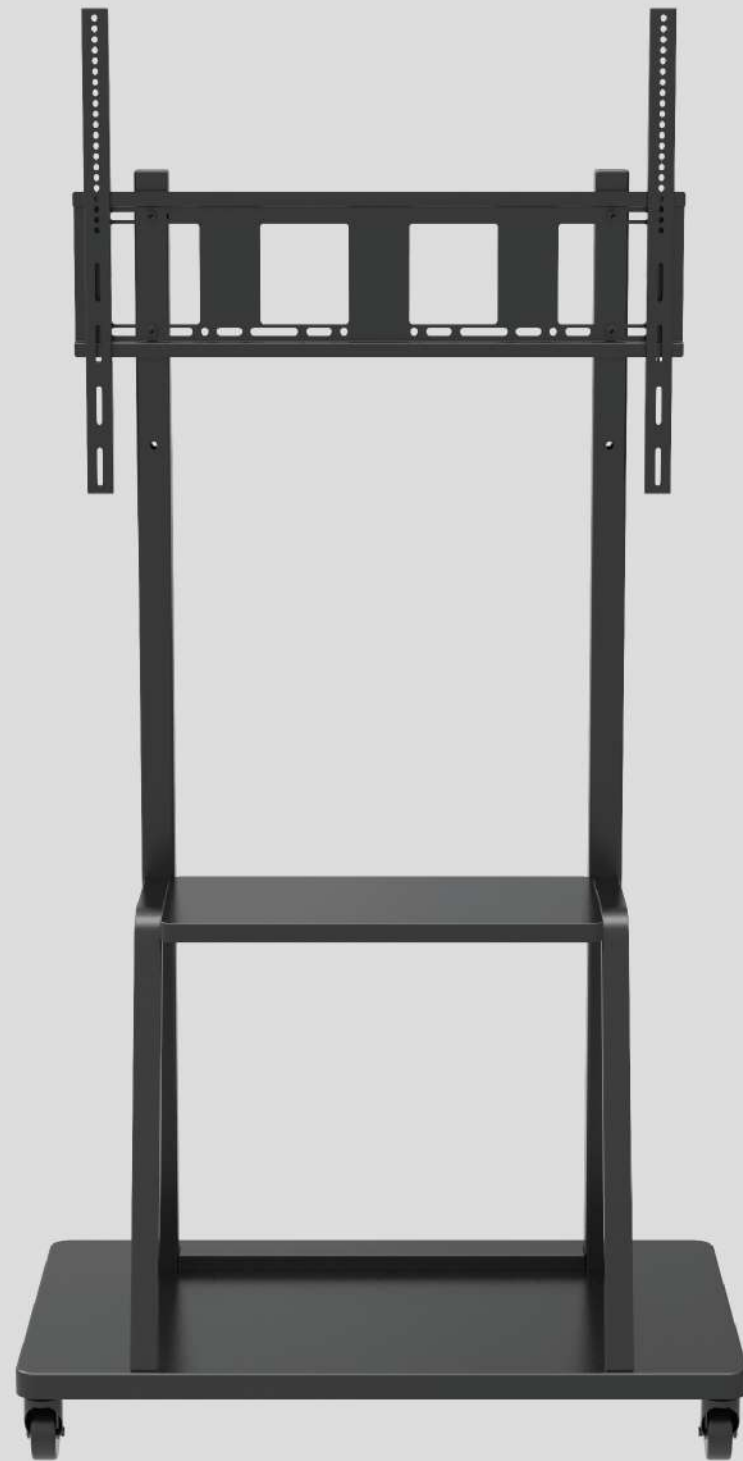


Movable Stand

4 Unique Designs, Strong & Sturdy



Design with the platform tray to place peripherals



Made of die-casting technique
Durable and sturdy



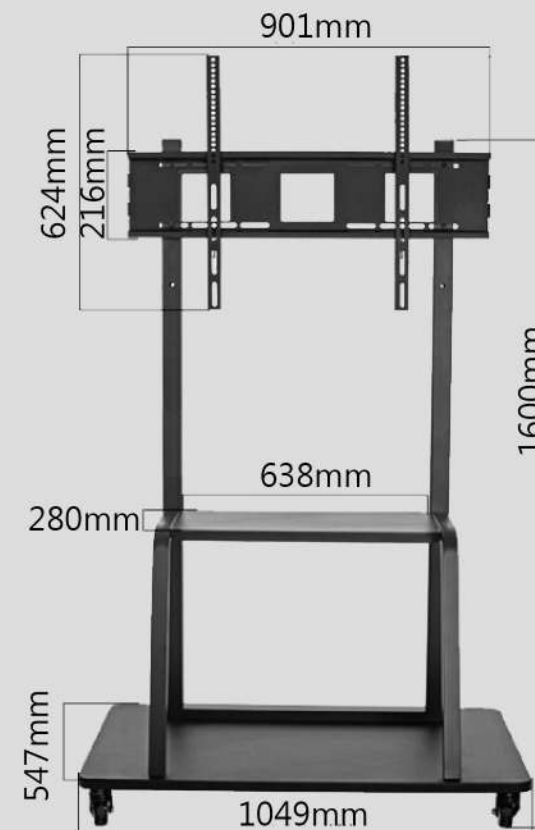
The height of the screen can adjust manually base on your preference



Design with the wall mount that is suitable for the large size screen



Adopt Omni-directional casters with brakes



- ▶ **Model: KTA 100**
- ▶ **Color: Black**
- ▶ **Materials: SPCC (Steel Plate ColdRolled Coil)**
- ▶ **Suitable Screen Size: 60"~105"screen**
- ▶ **Loading Capacity: 150KG**
- ▶ **Accessories: Equipment tray that can hold up to 20kg goods and full set of swivel casters**

SPCC Materials, All-in-one Stand, Equipment tray, Swivel Casters

PERSONA

8F., No. 219, Sec. 2, New Taipei Blvd., Xinzhuang Dist.,
New Taipei City 242032, Taiwan info@persona.com.tw



Website



LinkedIn



YouTube

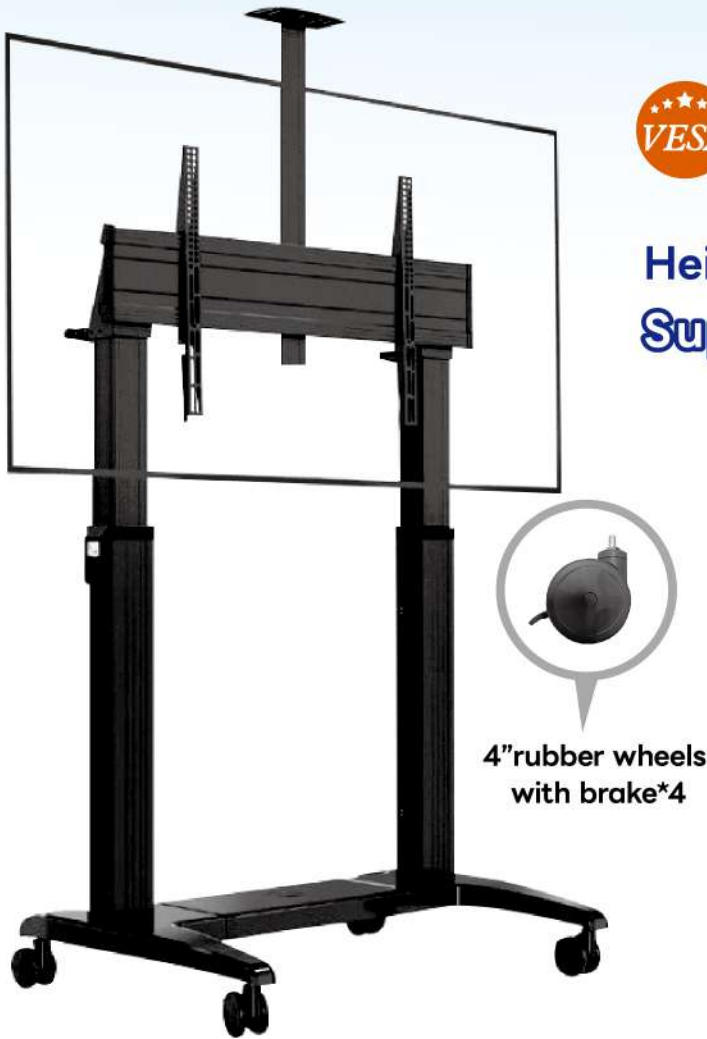
Mobile Stand

T100

Complies with VESA standard

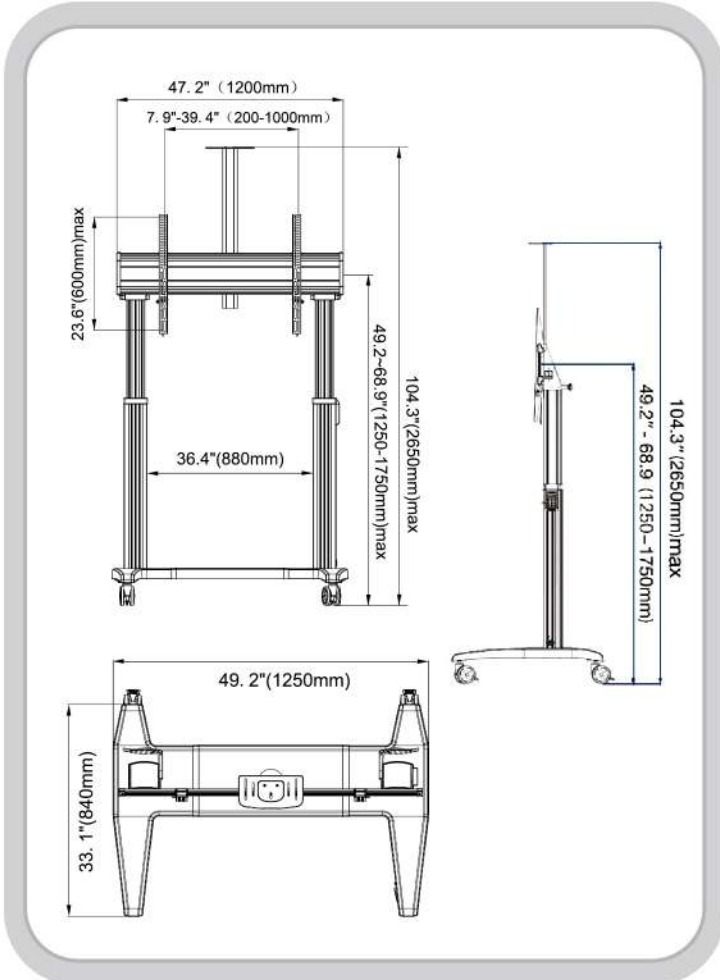


Height adjusting menu on column
Supports IR remote control



✓ For 75"-120" touchscreens

VESA Mount Range	20 × 20~100 × 60 cm
Max Load	136.4 kg
Base Dimensions	125 × 84 cm
Material	Aluminum Alloy
Screen Height Range	125~175 cm



Kiosk Stand Series

Kiosk stands for 19~32 inches

Color: Black/White backed painting

Dimension: 440(L)*400(W)*933(H) mm

Material: Metal Plate with powder baked painting coating

It can hold touch screen sizes from 19"~32"

The overall outlook is shown as 45 degrees slope design

There is a locker behind the stand for placing industrial-grade mini pc inside



Kiosk stands for 43~55 inches

Color: Black backed painting

Dimension: 470(L)*440(W)*1012(H) mm

Material: Metal Plate with powder baked painting coating

It can hold touch screen size with 43"&55"

The overall outlook is shown as 45 degrees slope design

There is a locker behind the stand for placing industrial-grade mini pc inside



Kiosk stands for 55~86 inches

Color: Black backed painting

Dimension: 650(L)*1100(W)*818.8(H) mm

Material: Metal Plate with powder baked painting coating

It can hold touch screen size from 55"~86"

The overall outlook is shown as 45 degrees slope design

The angle can be adjusted manually.

Placed in 45 degrees as a guiding kiosk

and in 180 degrees as a touch table

**Design and specification are subjects to change without prior notice

